

APPROVED STAMP

**PROPOSED 10+2 SCHOOL BUILDING
FOR R.D.S. EDUCATIONAL TRUST
AT MAUJA:-BALAPAR TIKARIYA ROAD
VISHUNPUR,MANIRAM GORAKHPUR
ARAJI NO:-640M1,646M1**

AREA DETAIL

ITEM	SQ METER
TOTAL PLOT AREA	9710.00 SQM.
COV.AREA ON G.F	2453.28 SQM.
COV.AREA ON F.F	2453.28 SQM.
MUMTY AREA	31.46 SQM.
TOTAL COV. AREA	4938.02 SQM.
OPEN. AREA ON G.F	7256.72SQM.

OPENING DETAIL:-

D1	1.2 m	2.1 m	DOOR
D2	1.1 m	2.1 m	DOOR
D3	0.75 m	2.1 m	DOOR
W1	1.8 m	1.35 m	WINDOW
W2	1.5m	1.35 m	WINDOW
W3	1.2 m	1.0 m	WINDOW
V	0.9 m	0.6 m	VENTILATOR

SCALE:-

1:50, 1:100, 1:200

STAIR DETAILS:-

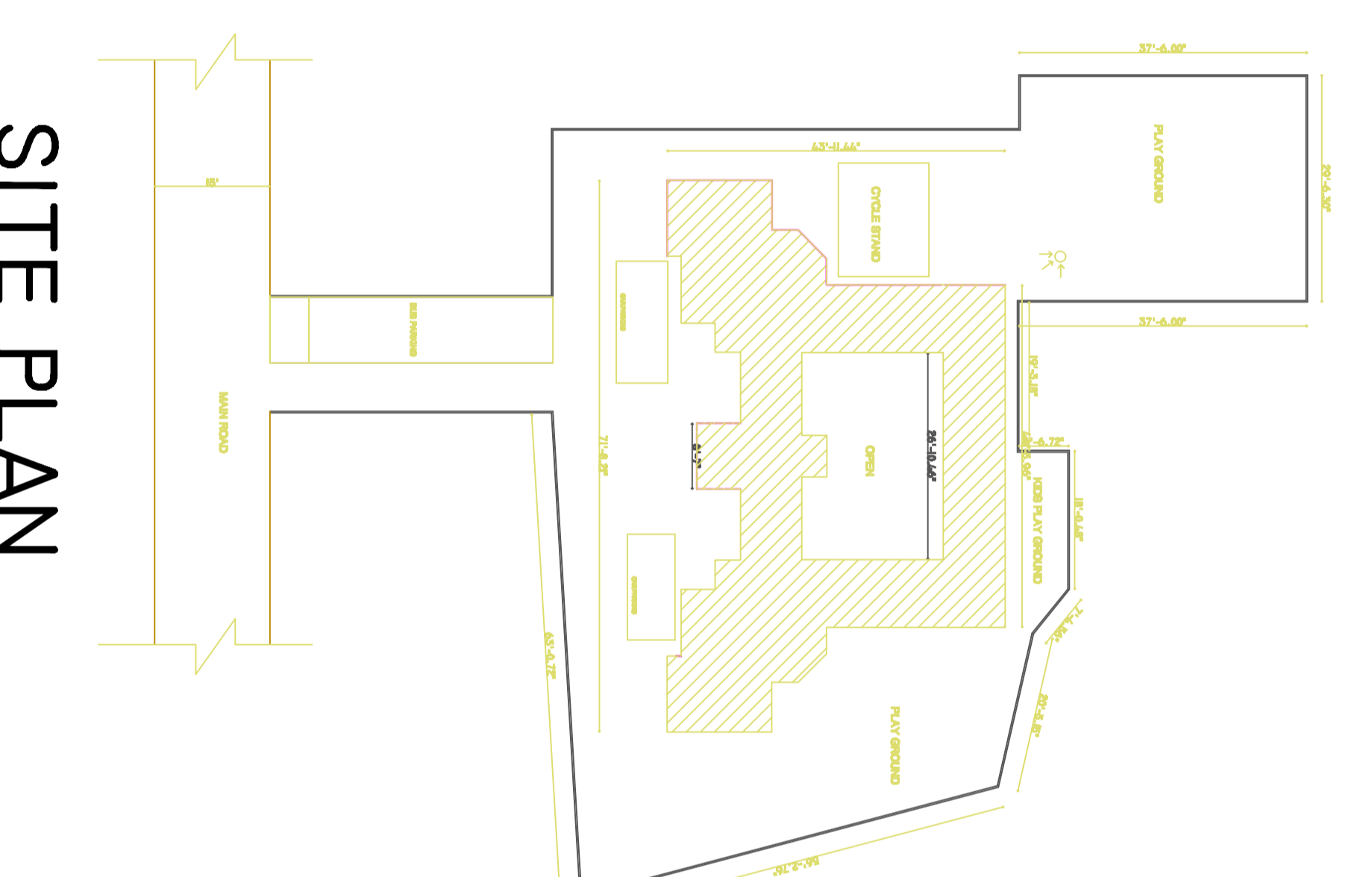
RISER 0.15, TREAD 0.25, WIDTH OF STAIR -1.0 M

LEGEND:-

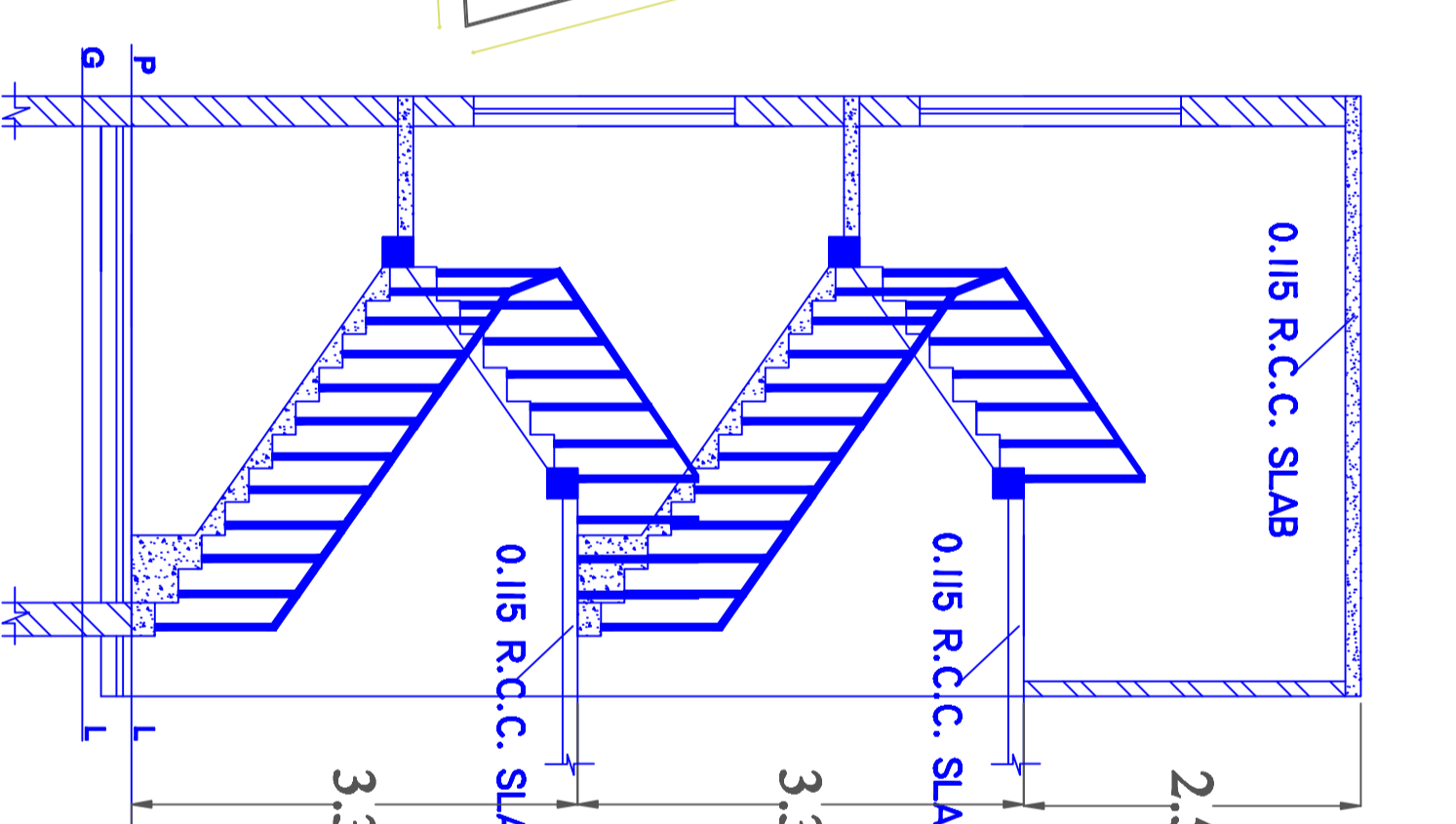
PRO. CONSTRUCTION SHOWN THUS

OWNER:-

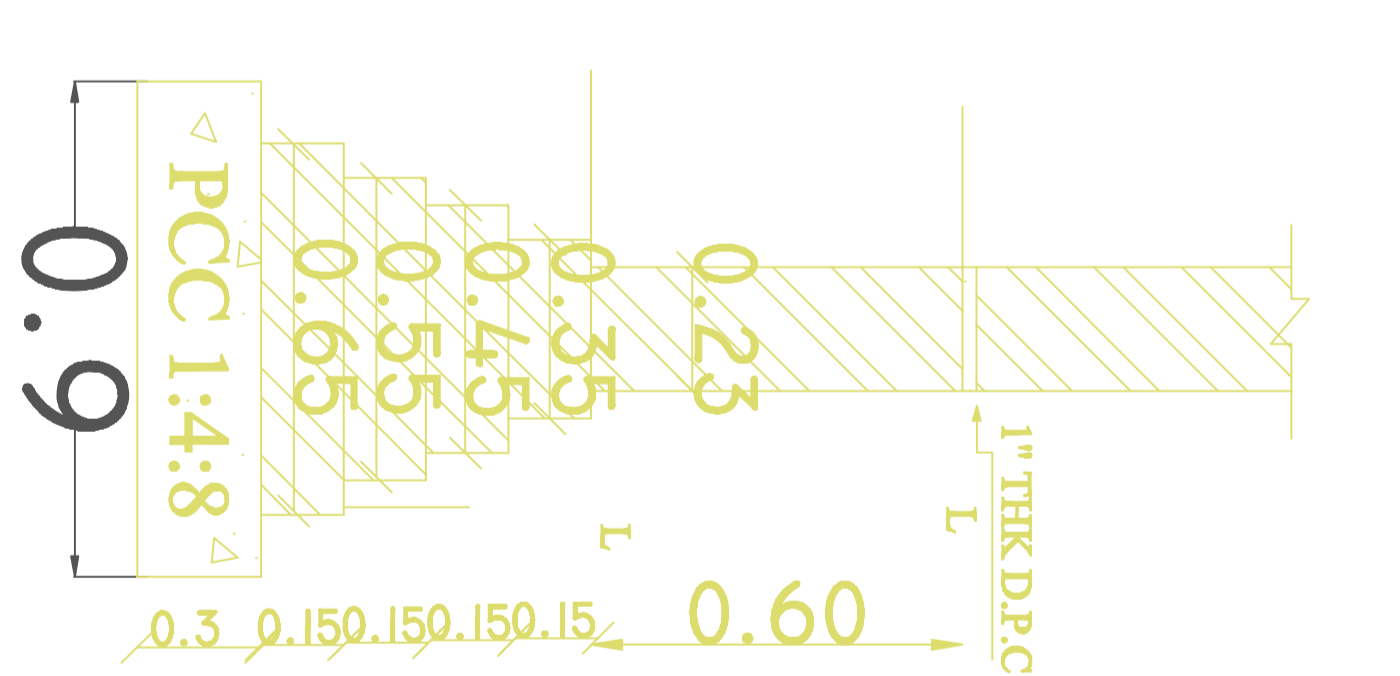
ARCHITECT :-



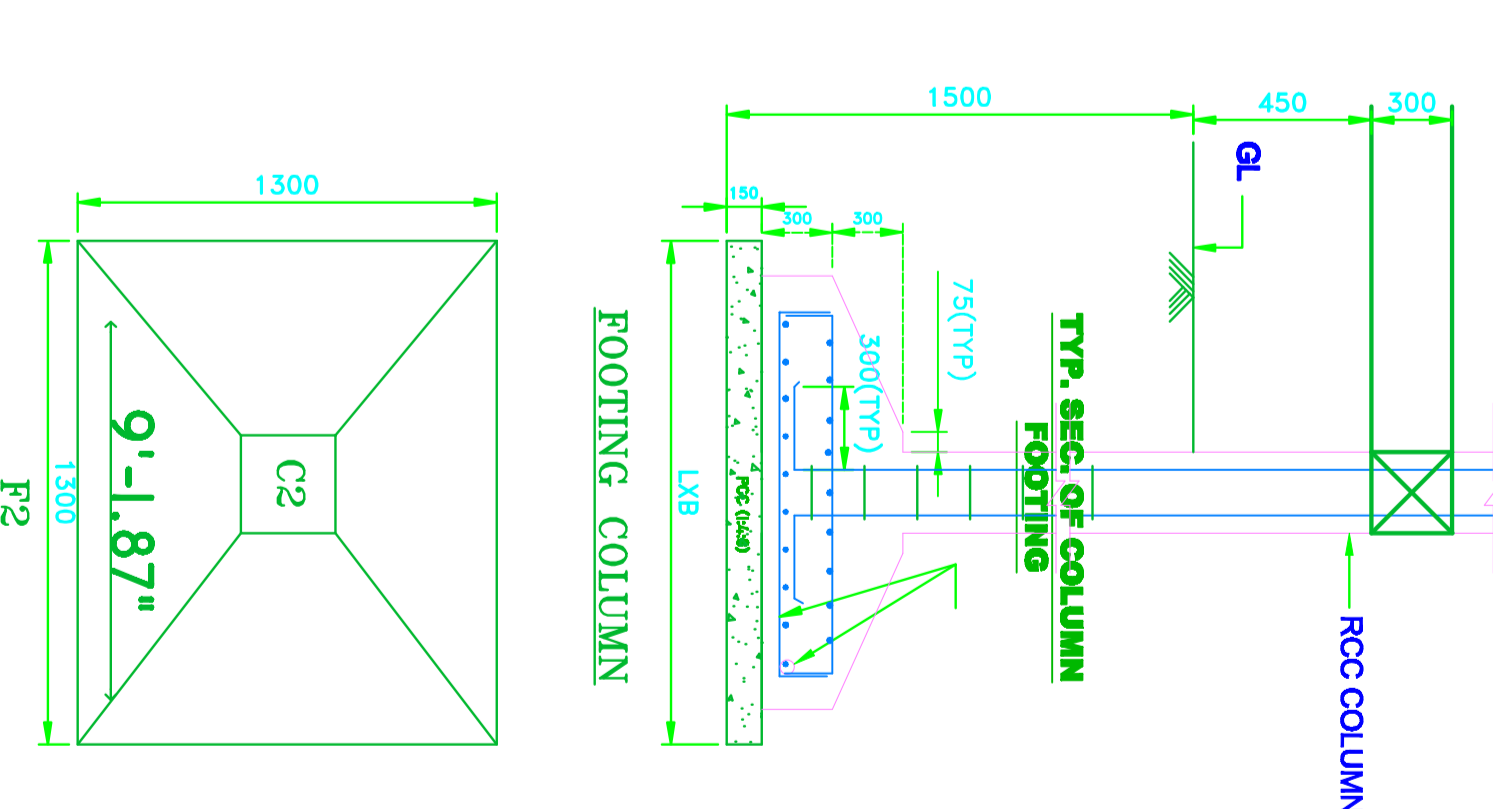
SITE PLAN



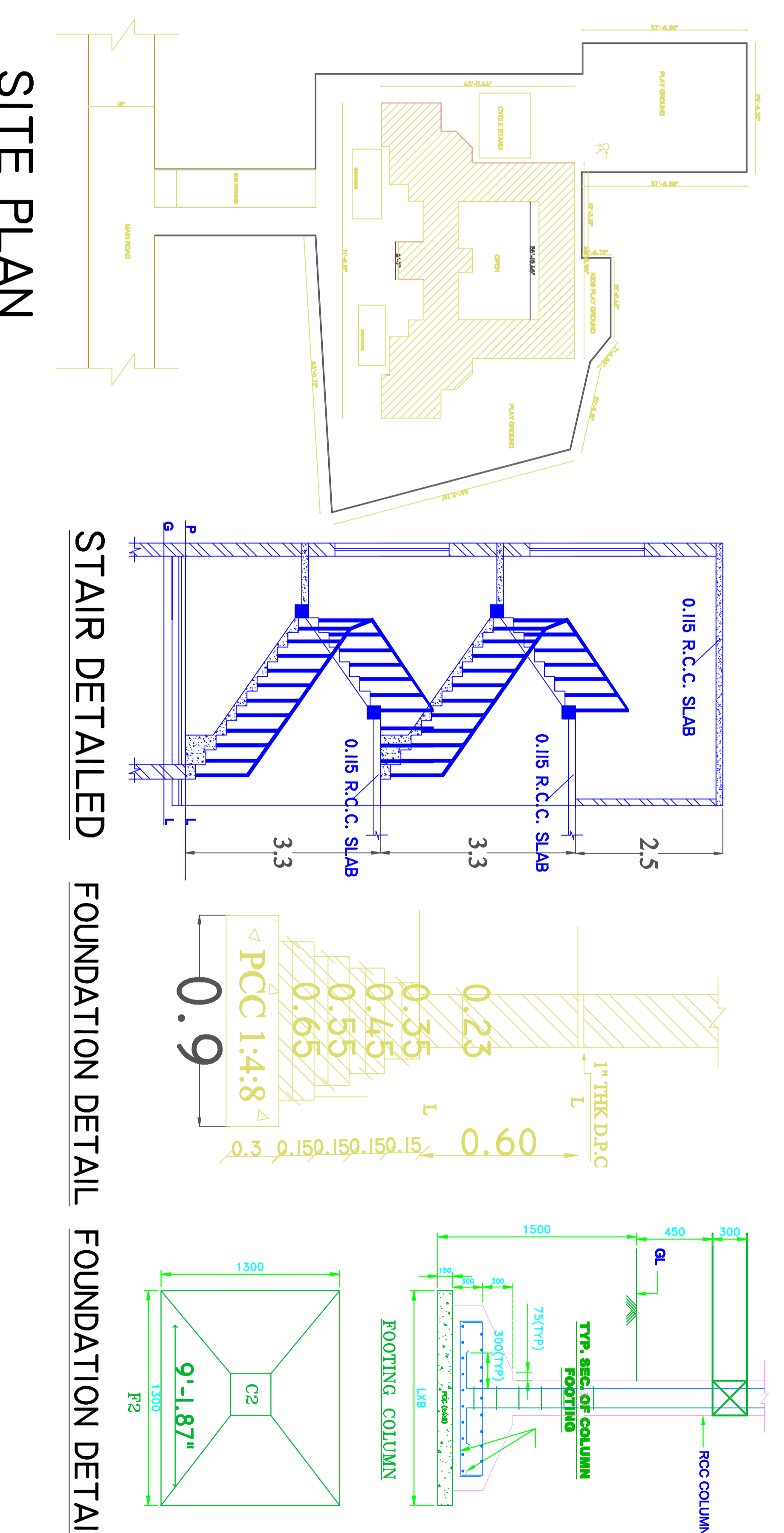
STAIR DETAILED



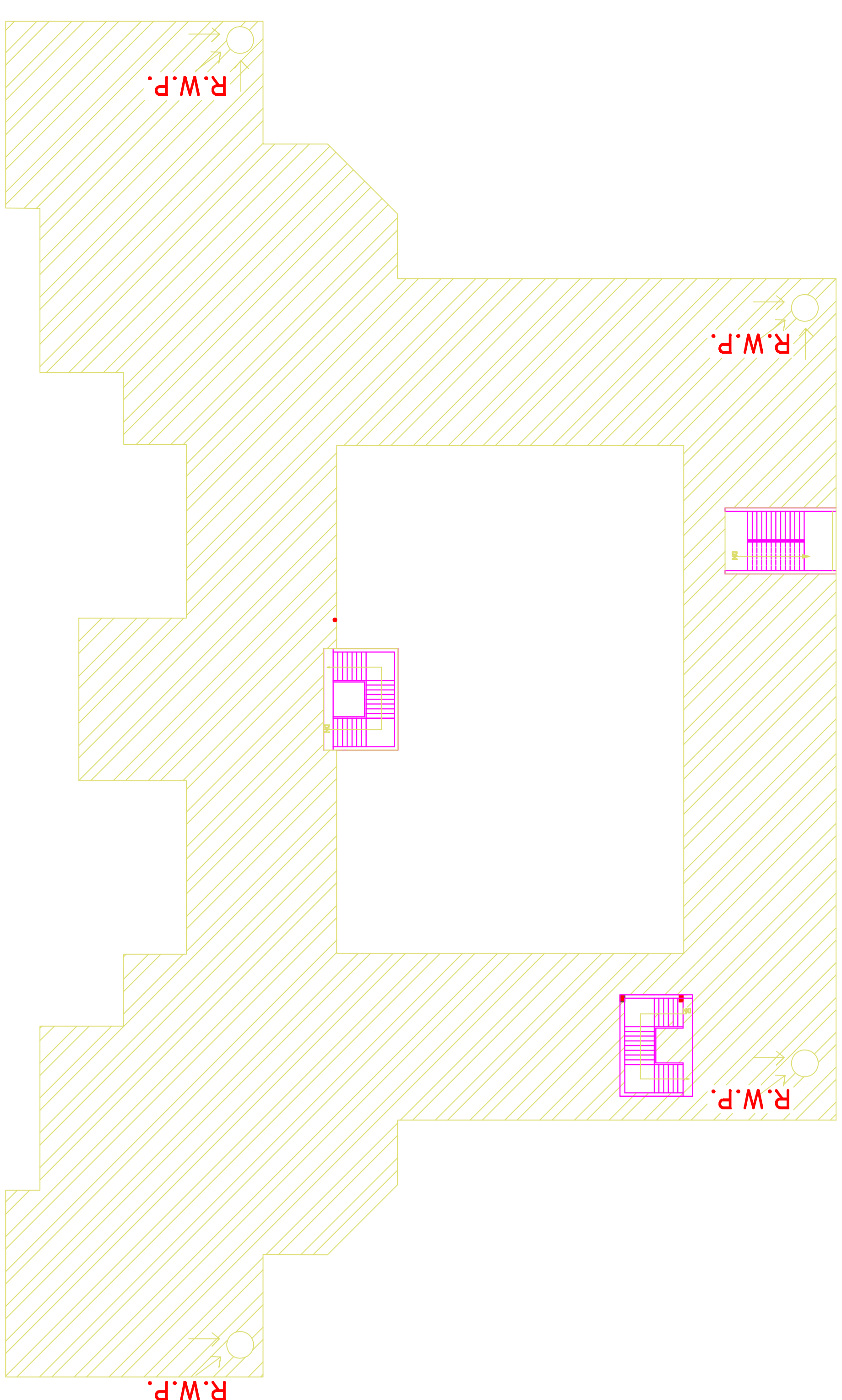
FOUNDATION DETAIL



FOUNDATION DETAIL

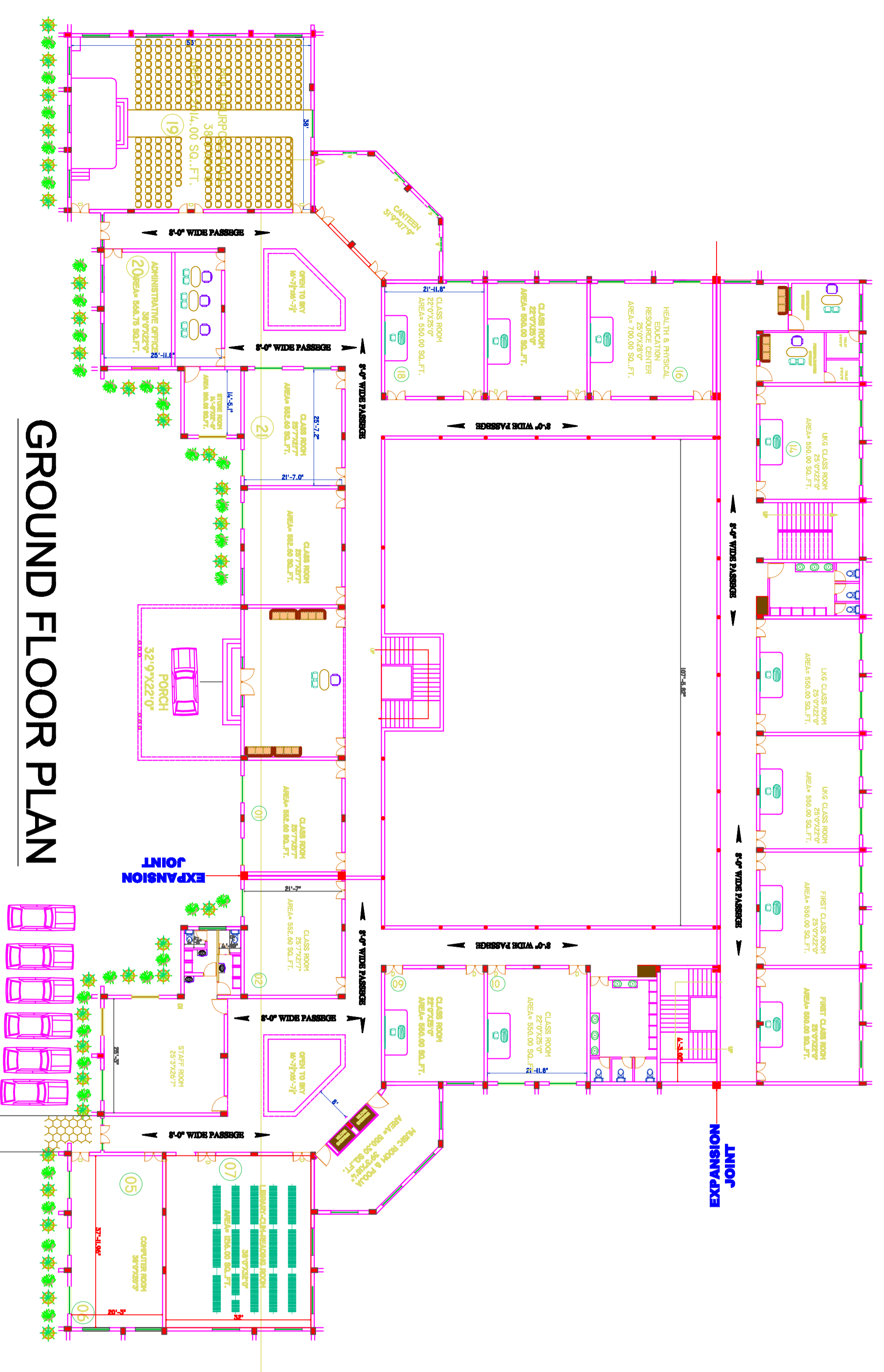
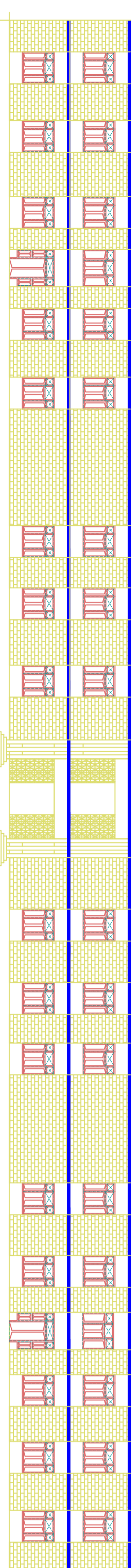


CROSS AT SECTION A-B

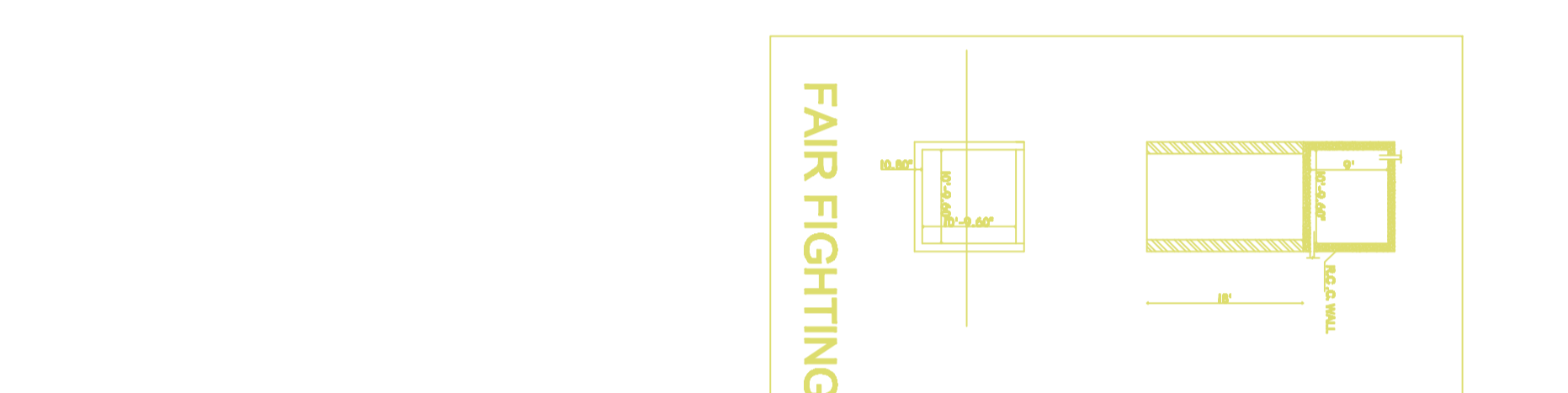


TERRACE PLAN

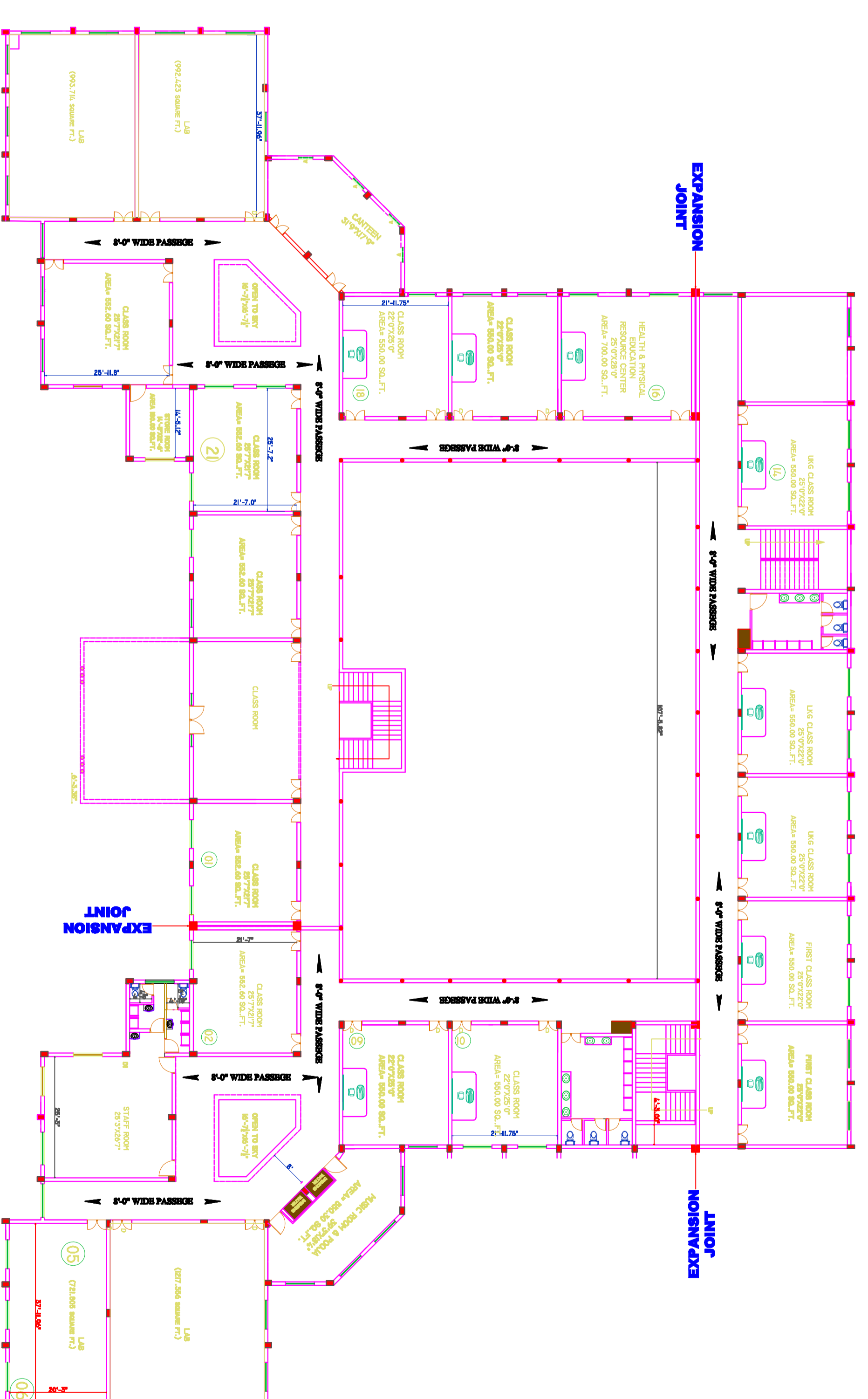
FRONT ELEVATION



GROUND FLOOR PLAN



FAIR FIGHTING



FIRST FLOOR PLAN